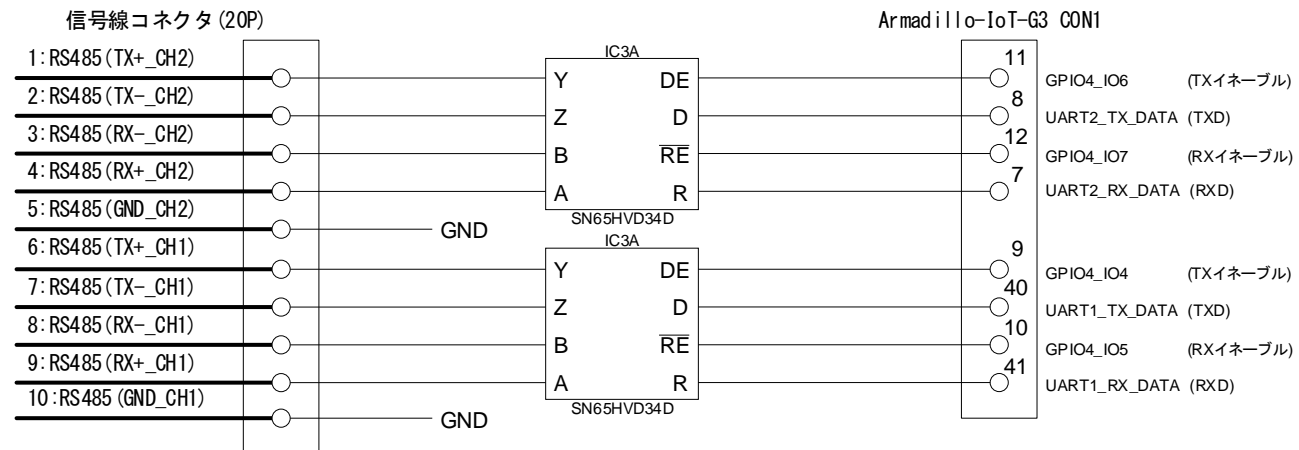
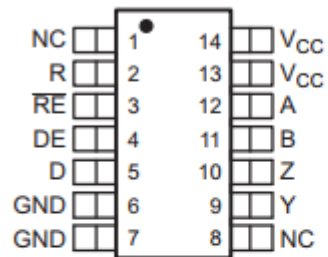


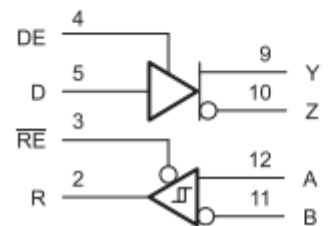
A  
B  
C  
D  
E  
F



SN65HVD33, SN65HVD34, SN65HVD35 D Package  
14-Pin SOIC  
Top View



NC - No internal connection  
Pins 6 and 7 are connected together internally  
Pins 13 and 14 are connected together internally



Copyright © 2017, Texas Instruments Incorporated

出図責任

検認	検図	担当	尺度	名称	葉番
..	..	..	A3		1/1
図番					